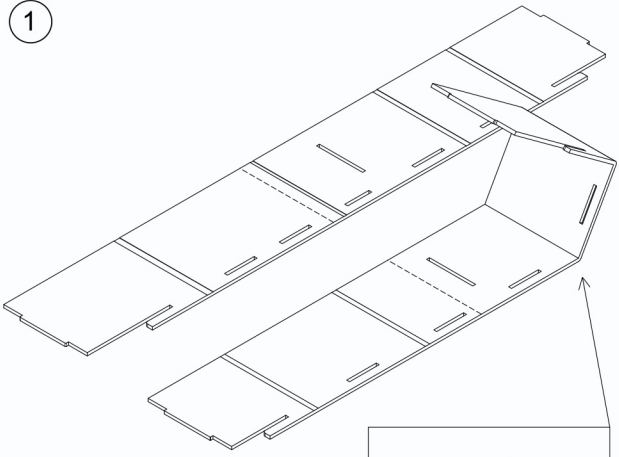
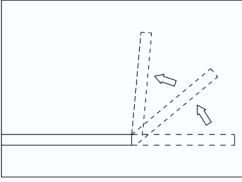


(PLAYHOUSE) HOUSE: INSTRUCTIONS

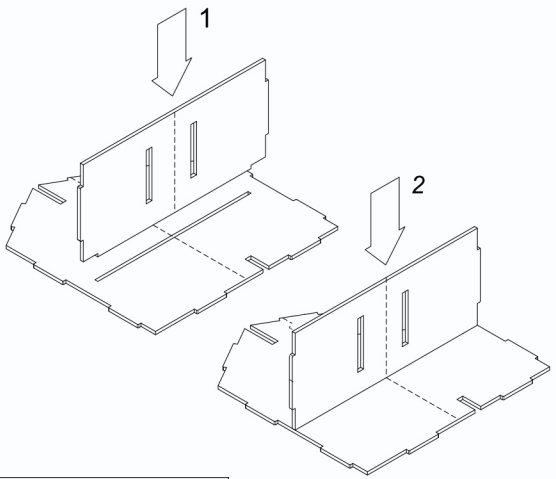
1



Unfold the outer parts of the house and then carefully fold in accordance with designated areas.

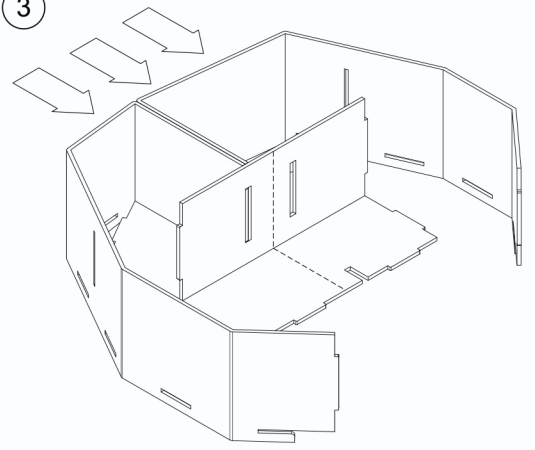


2



Match and connect the structural parts of the construction so that the slot and cut are in line.

3



The outer elements of the "wrapper" connect to the back of the house in accordance with the cuts on both parts.

Components of the house:

- 1x Right wrapper (outer part)
- 1x Left wrapper (outer part)
- 1x Back (rear part)
- 1x Floor (middle part)

Video instructions on www.kokocardboards.com

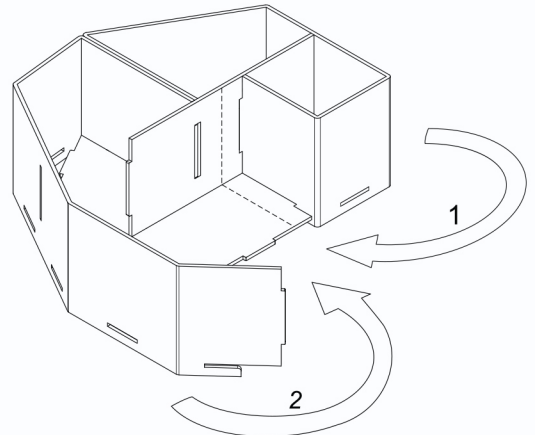
It is recommended to fold-up the house in twos with proper precautions. Children should play in the house under parents' supervision.

Attached graphic cut with scissors and glue (glue with low water content).

For more inspirations & Tutorials Follow us on: www.instagram.com/koko_cardboards

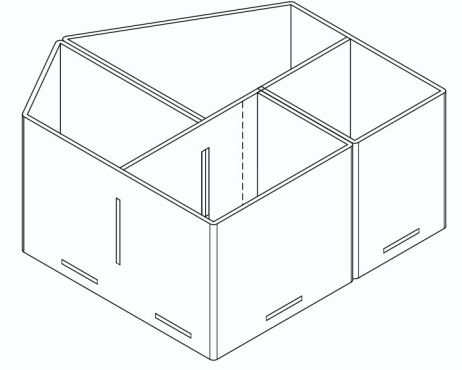
Producer:
ul. Strumykowa 50
62-081 Przeźmierowo
Poland
Tel. (+48) 507 092 916
NIP (TIN) - 7661674897

4



Then fold them by following the order shown in picture 1 and then 2.

5



ALL DONE. ;)
Have fun!