

**WARNING**

Rubber band - risk of suffocation.

Small parts - risk of swallowing.

This toy does not provide protection for the head.

To be used under the direct supervision of an adult.



Not suitable for children under 36 months.

# "DO IT YOURSELF" COSTUME COLLECTION

# ASTRONAUT

(helmet and backpack)

For self-assembly and decoration.

## ZESTAW ZAWIERA:

### 1. HELMET

- 1 x cardboard helmet base (A)
- 1 x binding screw (B)
- 1 x cardboard piece, notched circle (C)
- 1 x rubber band (D)
- 1 x sheet of paper, thimble (E)
- 1 x cardboard piece, belt (F)
- 1 x cardboard piece, belt (G)
- 3 x cardboard circles (H, I, J)
- 2 x cardboard microphone (K = K1 + K2)
- 1 x decoration paper (L)
- 1 x cardboard circle (M)
- 1 x protective foam (N)

### 2. BACKPACK

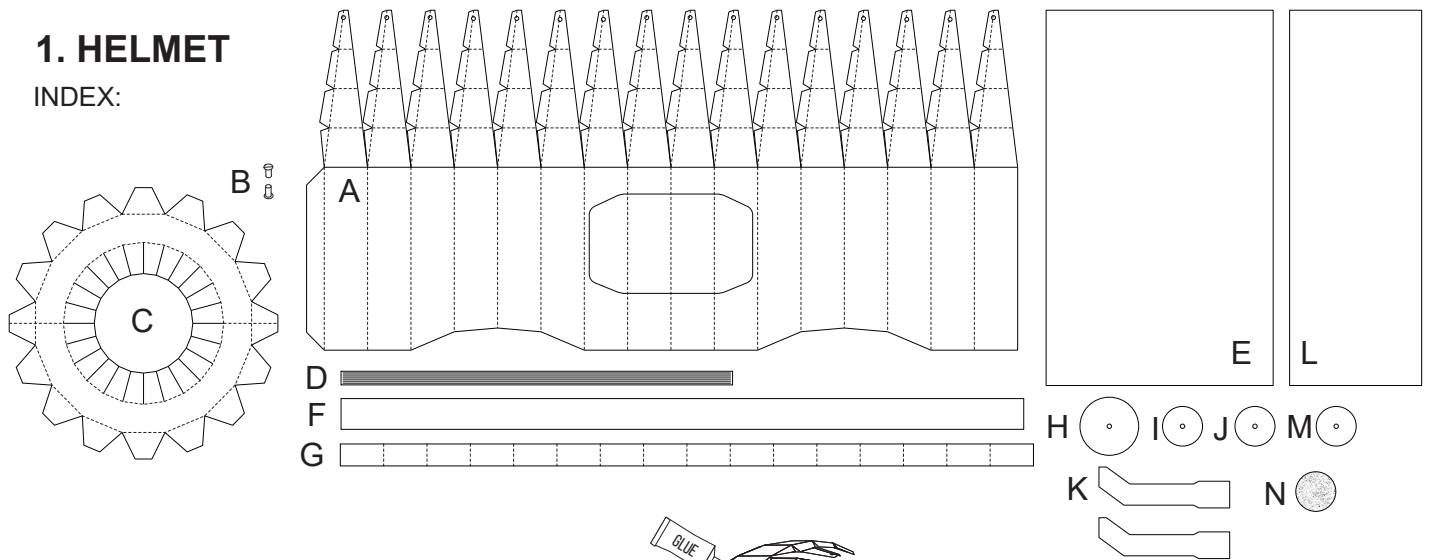
- 2 x cardboard piece, backpack tube (A)
- 4 x cardboard piece, tube cap (B)
- 1 x cardboard plate (C)
- 2 x rubber band (D)
- 1 x cardboard element (H)
- 1 x cardboard star (F)
- 1 x template, flame (G)
- 1 x decoration paper (L)
- 6 x cardboard circle (J)
- 2 x velcro (K)
- 1 x sheet of paper (E)

## THE SET DOES NOT CONTAIN:

- glue
- scissors
- brush

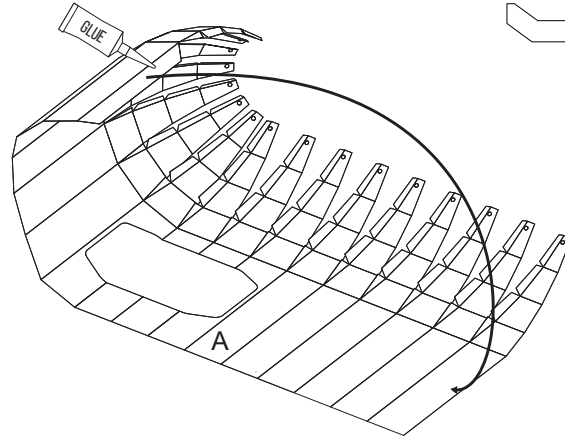
# 1. HELMET

INDEX:



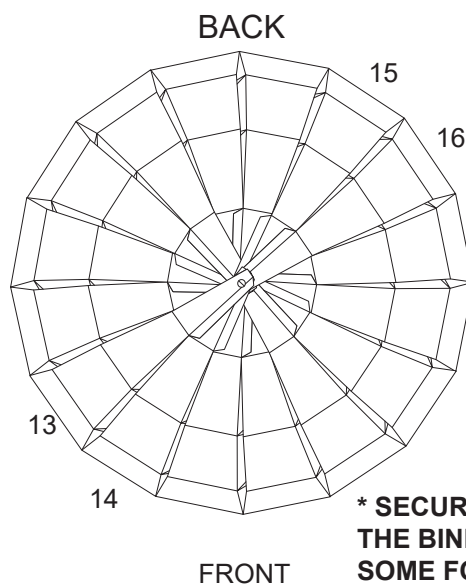
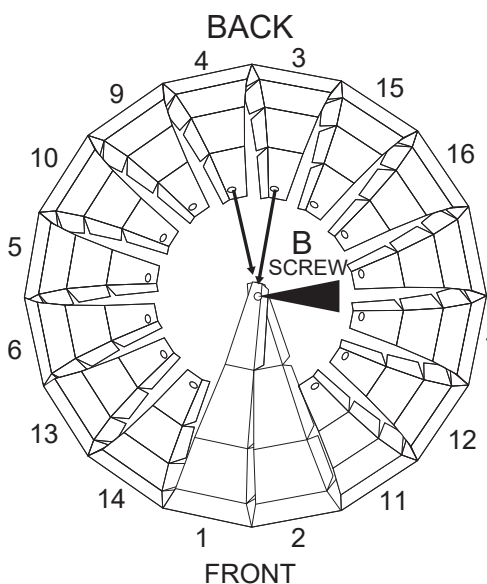
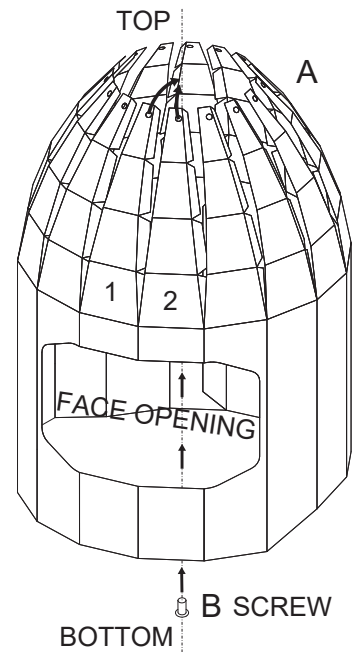
1. Fold all the tabs along the visible fold lines of the piece A.

2. Glue both ends of the piece A, pasting the tab inside the helmet.



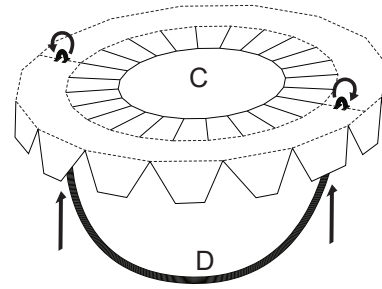
3. Direct the "belts" with holes towards the centre of the helmet, by inserting a screw (B) through each hole from the bottom. Do it in the order shown in the picture, belts 1 and 2 are above the face opening.

Try to connect the pieces in such a way as to make the last tab of the first piece overlap the second piece. Do the same with the other pairs.

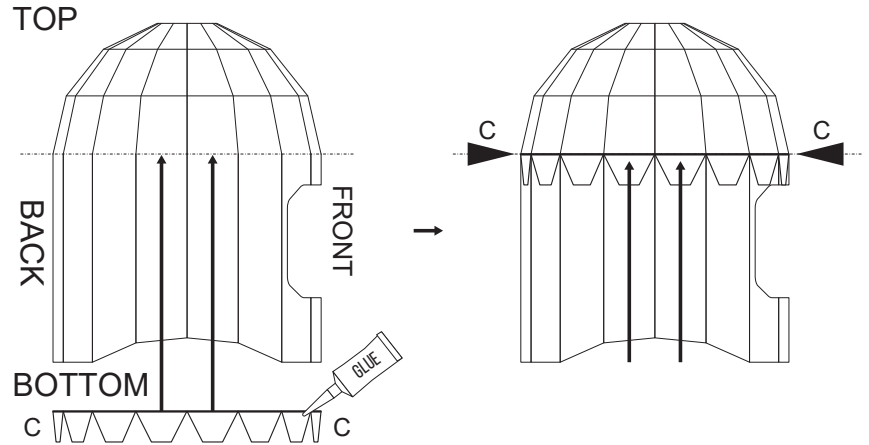


**\* MAKE SURE THE SCREW IS TIGHTLY FASTENED.**  
**\* SECURE THE BOTTOM THREAD OF THE BINDING SCREW BY ATTACHING SOME FOAM (N) FROM THE INSIDE OF THE HELMET.**

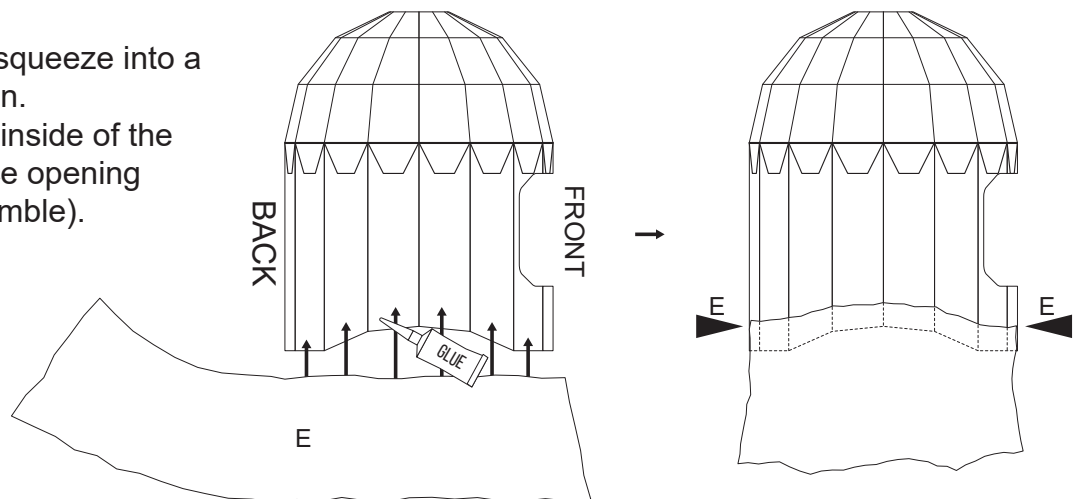
4. Fold the piece C along the visible fold lines (leave the internal cuts unfolded for now). Pass the rubber band (D) through the cuts and make knots to tie it - earlier try it on and determine its length - the rubber band must wrap a chin.



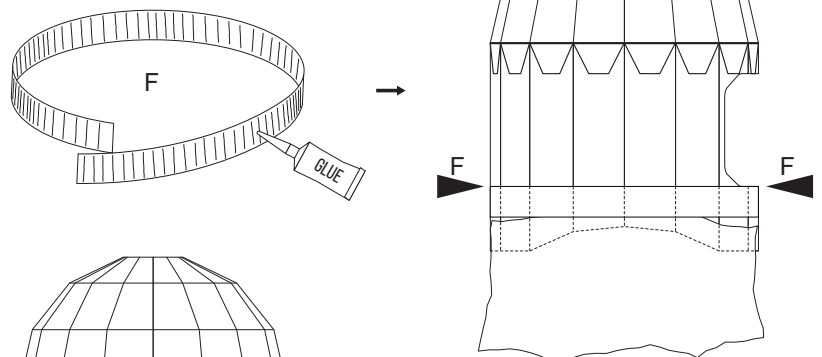
5. Glue the piece C inside the helmet, in the place shown in the picture.



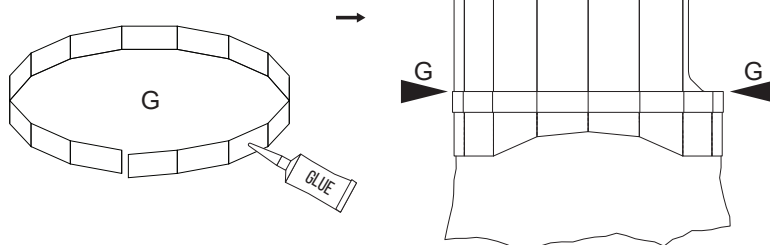
6. Paper (E), unfold, squeeze into a ball and unfold it again. Then glue it from the inside of the helmet, below the face opening (we make a paper thimble).



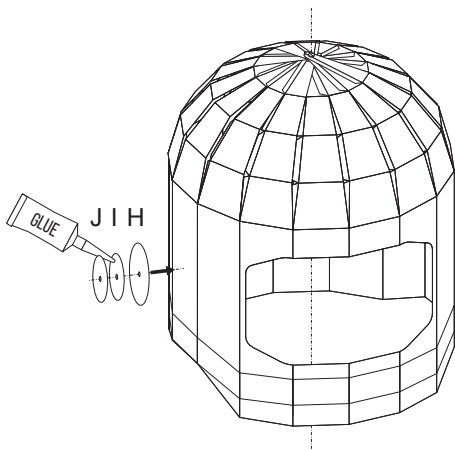
7. Shape the piece F to make it rounded (break it every few millimetres), and then glue it inside the helmet, in the place shown in the picture (under the face opening, on the paper).



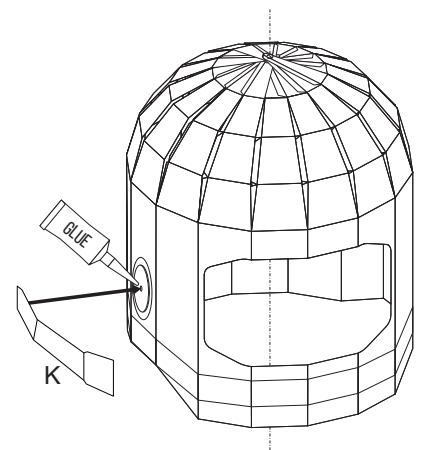
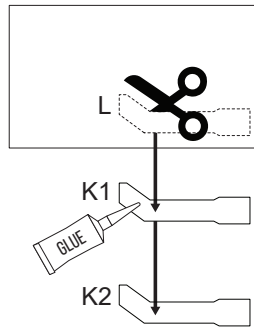
8. Break the piece G along the visible fold lines and glue on the outside of the helmet, in the place shown in the picture.



9. Glue circles H, I and J together and attach them on the left side of the hole in the helmet.

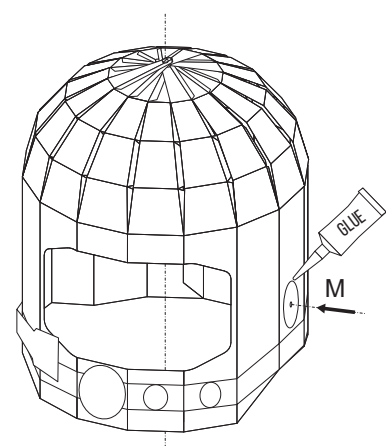
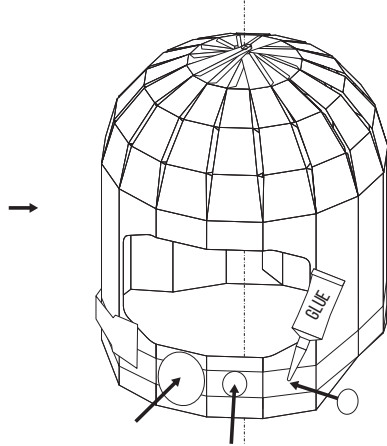
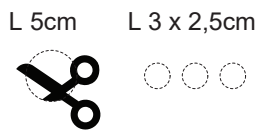


10. Glue pieces K1 and K2 together to receive a microphone (K). From the included paper (L) cut out the microphone and stick it. Then attach the ready piece to the HIJ piece.



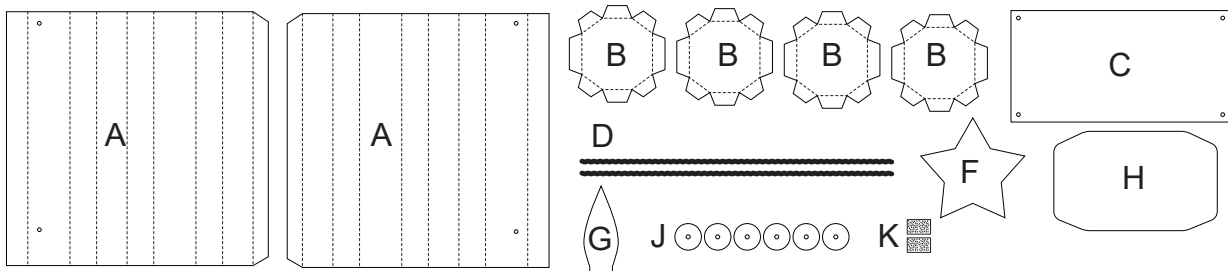
11. From the included paper L, cut out decorative circles and attach them as shown.

12. The last piece M, attach the circle to the right of the head opening (see the picture).

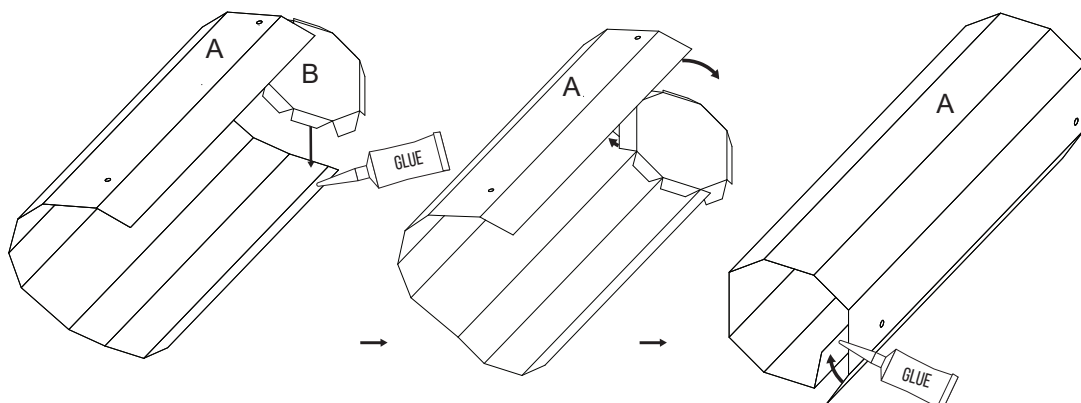


## 1. BACKPACK

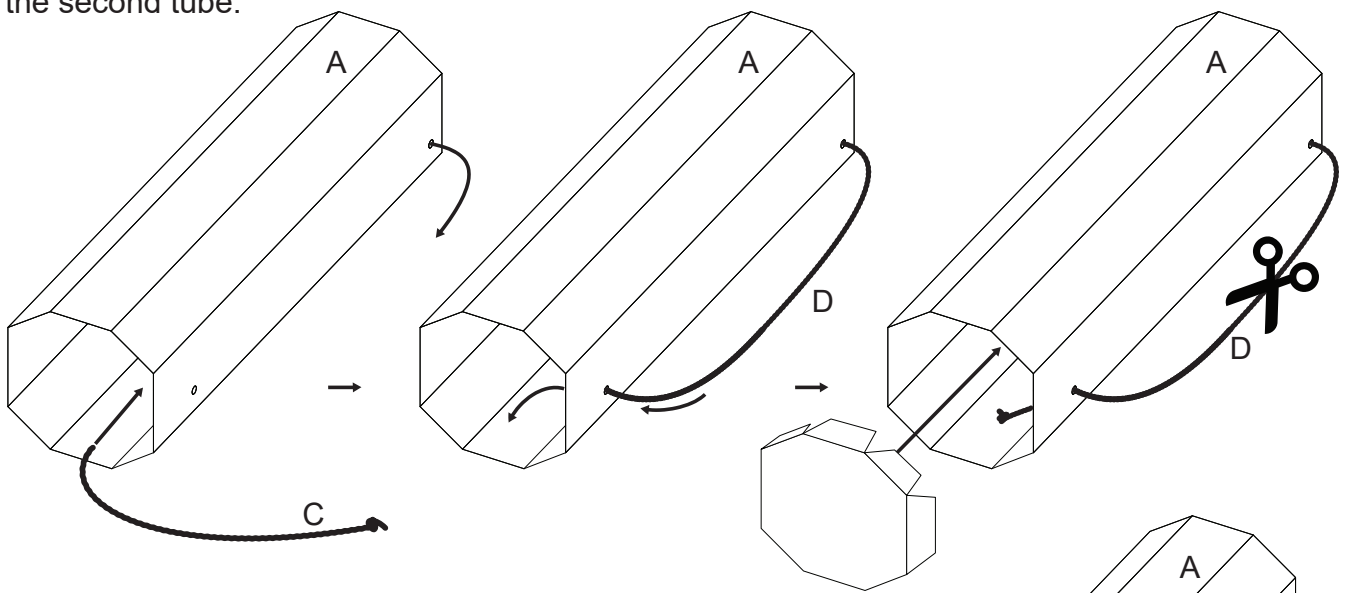
INDEX:



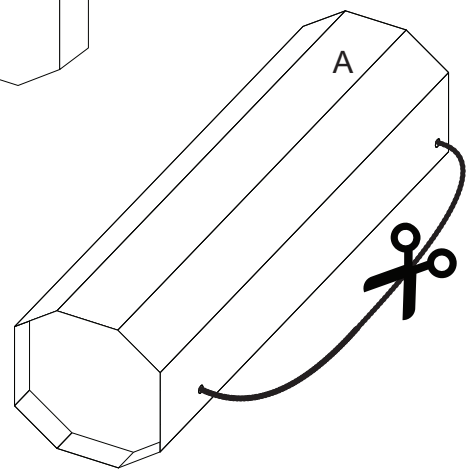
1. Fold the piece A along the fold lines. Place the piece A on the table top and glue it to the piece B at the top edge, successively each tab to make a closed tube. Make sure to do this "at the top" of the tube, that is at the side where the distance between the hole and the edge is much smaller. Finish the tube by gluing the tabs along the piece. Help yourself with your hand from the inside. Make the second tube in the same way.



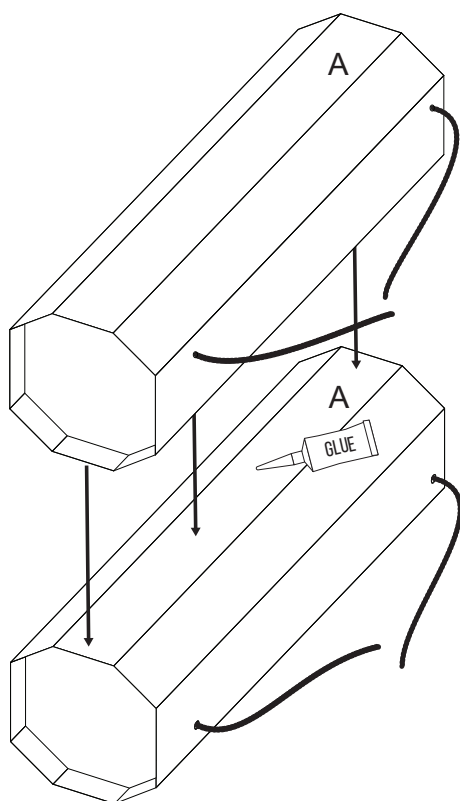
2. Make a knot at the end of the rubber band (D) and put it from the inside of the tube through the top hole. Then put it back inside the tube with the bottom hole and make a knot so that both rubber band ends stuck inside the tube. Cut the rubber band in the middle. Do the same with the second tube.



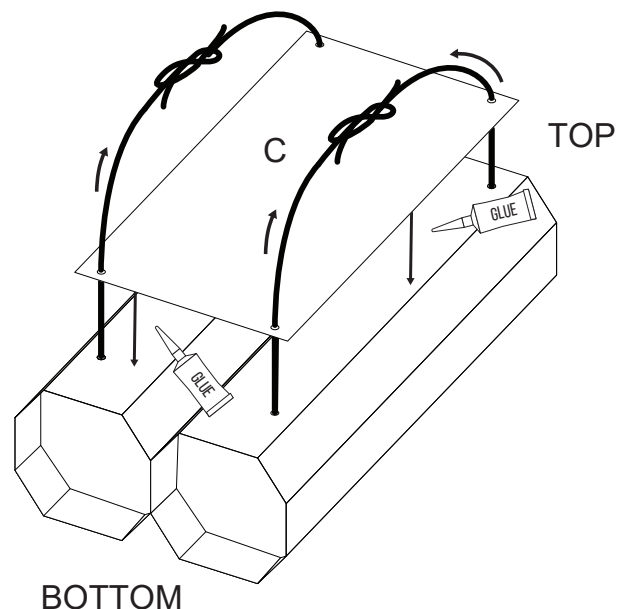
3. Close the tubes from the bottom with the remaining pieces B. You don't need to use glue. Just fold the tabs and press the bottoms into the tubes (at least 2 cm).



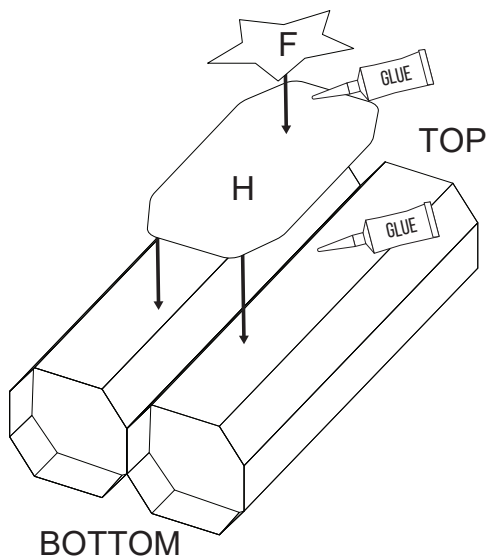
4. Glue the tubes together along the side adjacent edge.



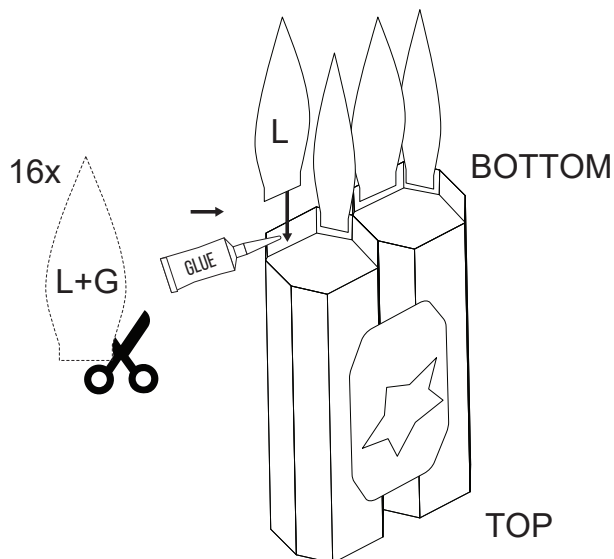
5. Glue the piece C to the connected tubes by dragging all four rubber bands protruding from the tubes through the piece hole. Try on and tie the rubber bands to obtain "arms" of the backpack. Adjust the length of the rubber bands so that the backpack is comfortable and holds well to the back.



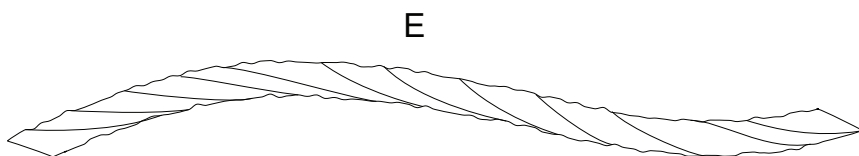
6. On the outside of the backpack use the pieces H, F as decoration. Draw a star on paper K and glue it on the piece F to add colour.



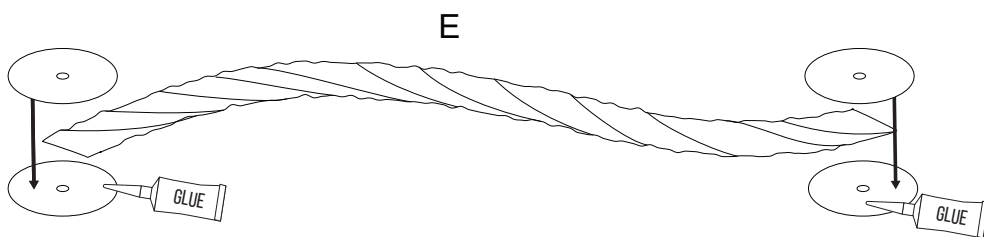
7. Place the backpack vertically upside down on the table top. Use the template (G) to draw sixteen flames on paper (L). Then glue them from the inside of the tubes.



8. Unfold a sheet of paper E and squeeze it. Use it as a "connector" between the helmet and the backpack - turn it along its own axis.



9. Flatten both ends of the formed paper and paste between the two cardboard circles (I), glue the last circle on top of the backpack.



10. Using a velcro (K) connect the circles attached to the helmet and the backpack to the paper "connector", thanks to which it will be easier to take off and put on the costume (separate helmet and backpack).

