

WARNING

Rubber bands - risk of suffocation.

To be used under the direct supervision of an adult.

 Not suitable for children under 36 months.

"DO IT YOURSELF" COSTUME COLLECTION

SUPER HERO

(mask, belt, cape, wristbands)

For self-assembly and decoration.

THE SET CONTAINS:

1. MASK

- 1 x star (A)
- 1 x mask (B)
- 1 x rubber band (C)

2. BELT

- 1 x cardboard belt (A)
- 2 x cardboard piece (B = B1 + B2)
- 1 x lightning (C)
- 1 x velcro (D)

3. CAPE

- 2 x cardboard base (A = A1 + A2)
- 2 x cardboard base (B = B1 + B2)
- 1 x cardboard piece (C)
- 1 x sheet of paper (D)
- 1 x cardboard piece (E)
- 1 x velcro (F)
- 1 x rubber band (G)

4. WRISTBANDS

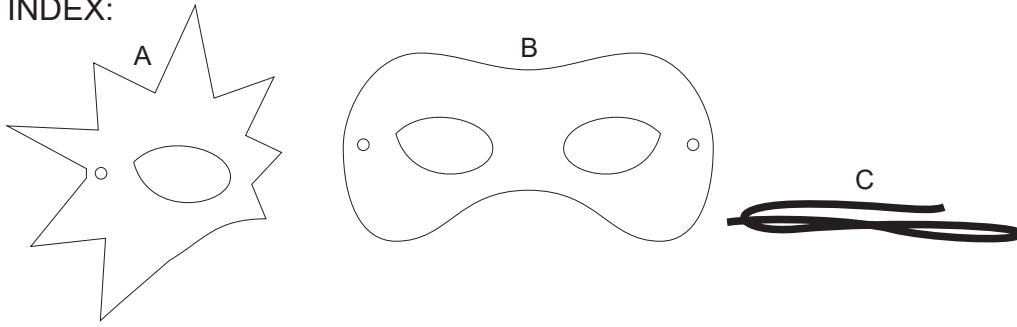
- 2 x thick rubber band (A) (5 x 18 cm)
- 2 x velcro (B)

THE SET DOES NOT CONTAIN:

- paint or acrylic marker
- glue
- brush
- scissors

1. MASK

INDEX:

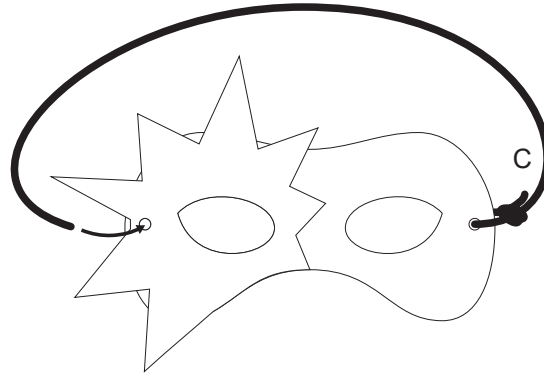
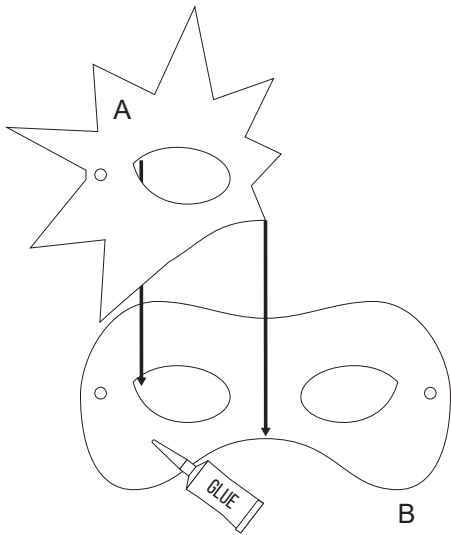


1. Colour the star (A) by painting it with a paint or an acrylic marker.

* At this stage, plan the colour of the costume, it will be easiest for you when you limit it up to 3 colours (eco + two others).

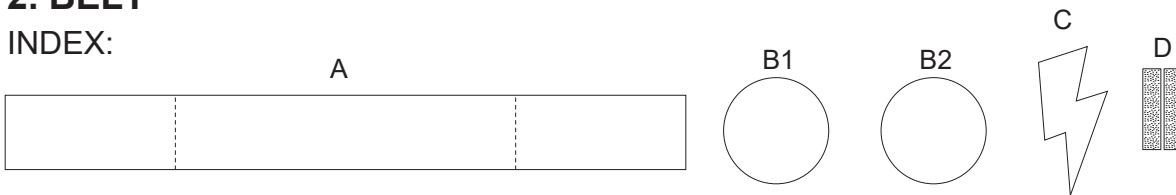
2. Glue the ready (dry) star on the mask (B).

3. Tie the rubber band (C) to one of the holes, then measure the correct length of the rubber band and tie at the other hole.



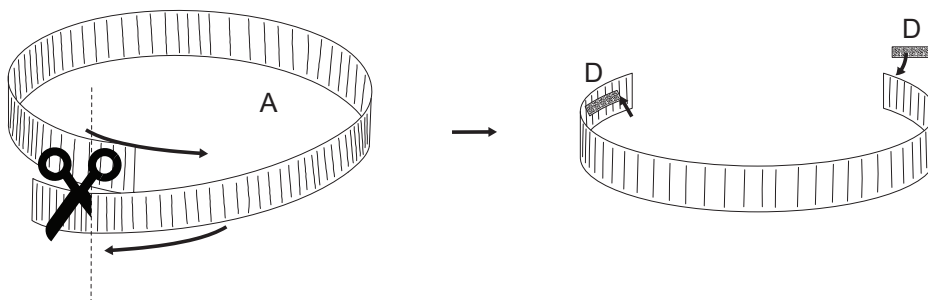
2. BELT

INDEX:

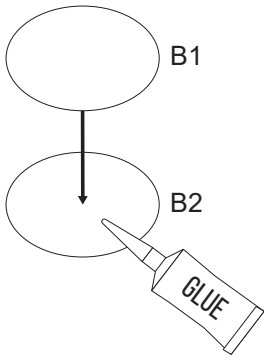


1. Shape the piece A so that it is rounded (break it every few millimetres). Try on the belt, to determine its length, leave an overlap of about 5 cm, cut off the rest.

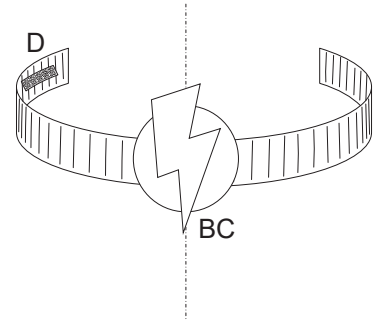
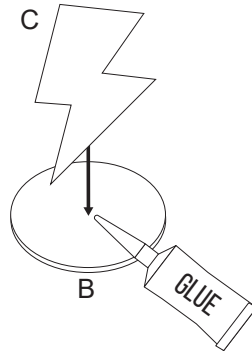
Attach the velcro (D) to both ends of the belt. One velcro on the inside, the other velcro on the outside. Make sure the belt is comfortable and tight.



2. Glue the pieces together: B1+B2, to obtain the piece B, if you want, you can colour it.

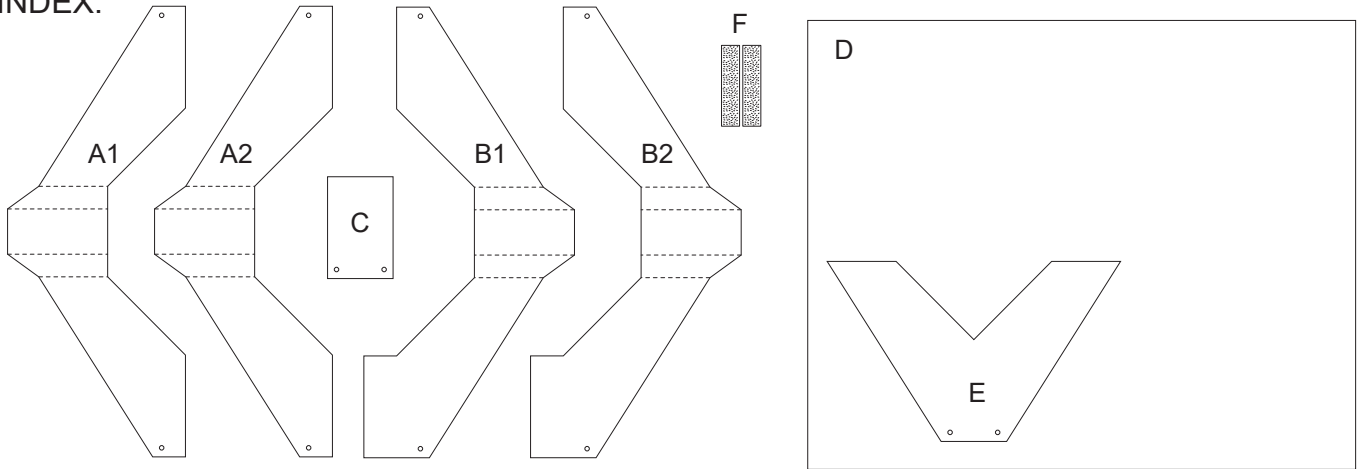


3. Colour the piece C with paint or an acrylic marker, then glue it in the middle of the piece B. Attach the piece BC in the middle of the belt (A).

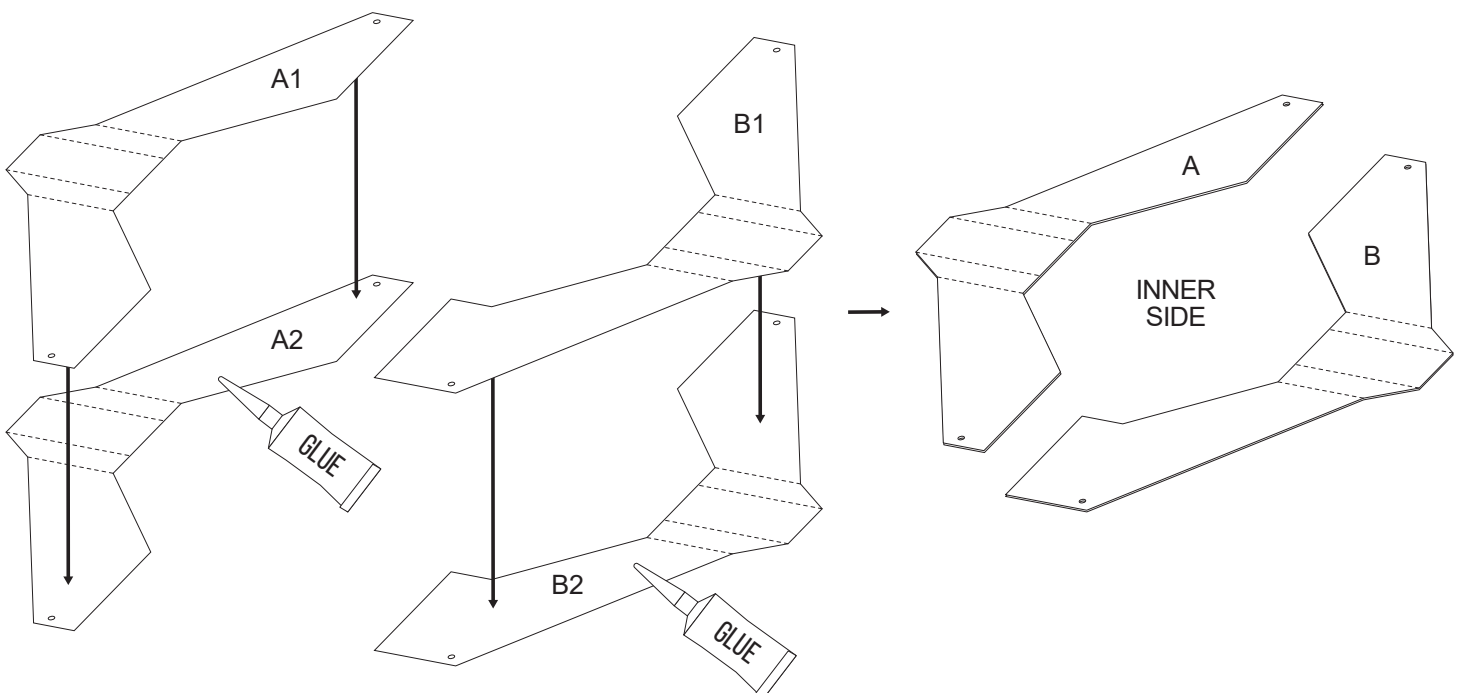


3. CAPE

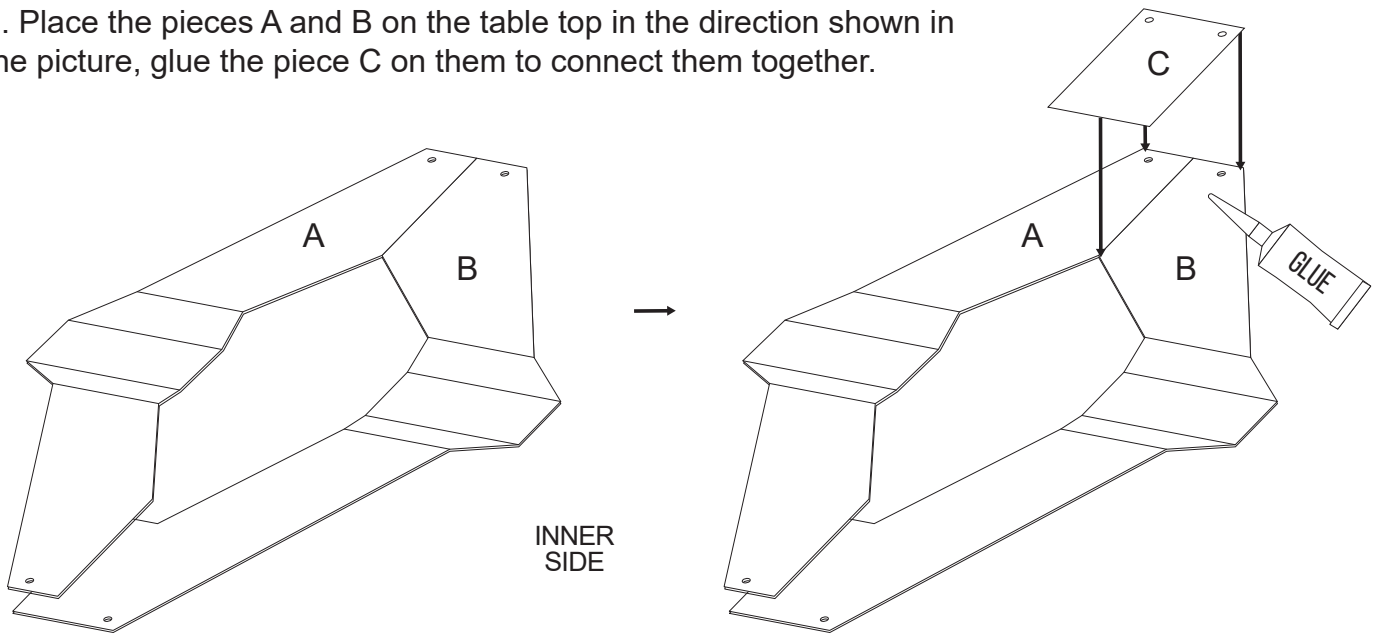
INDEX:



1. Glue the pieces A1 + A2 together to obtain the piece A and the pieces B1 + B2 to obtain the piece B. Spread the glue evenly over the entire surface, put some books on the pieces A and B for a while, so that the glue binds better and the layers contact with one another perfectly.

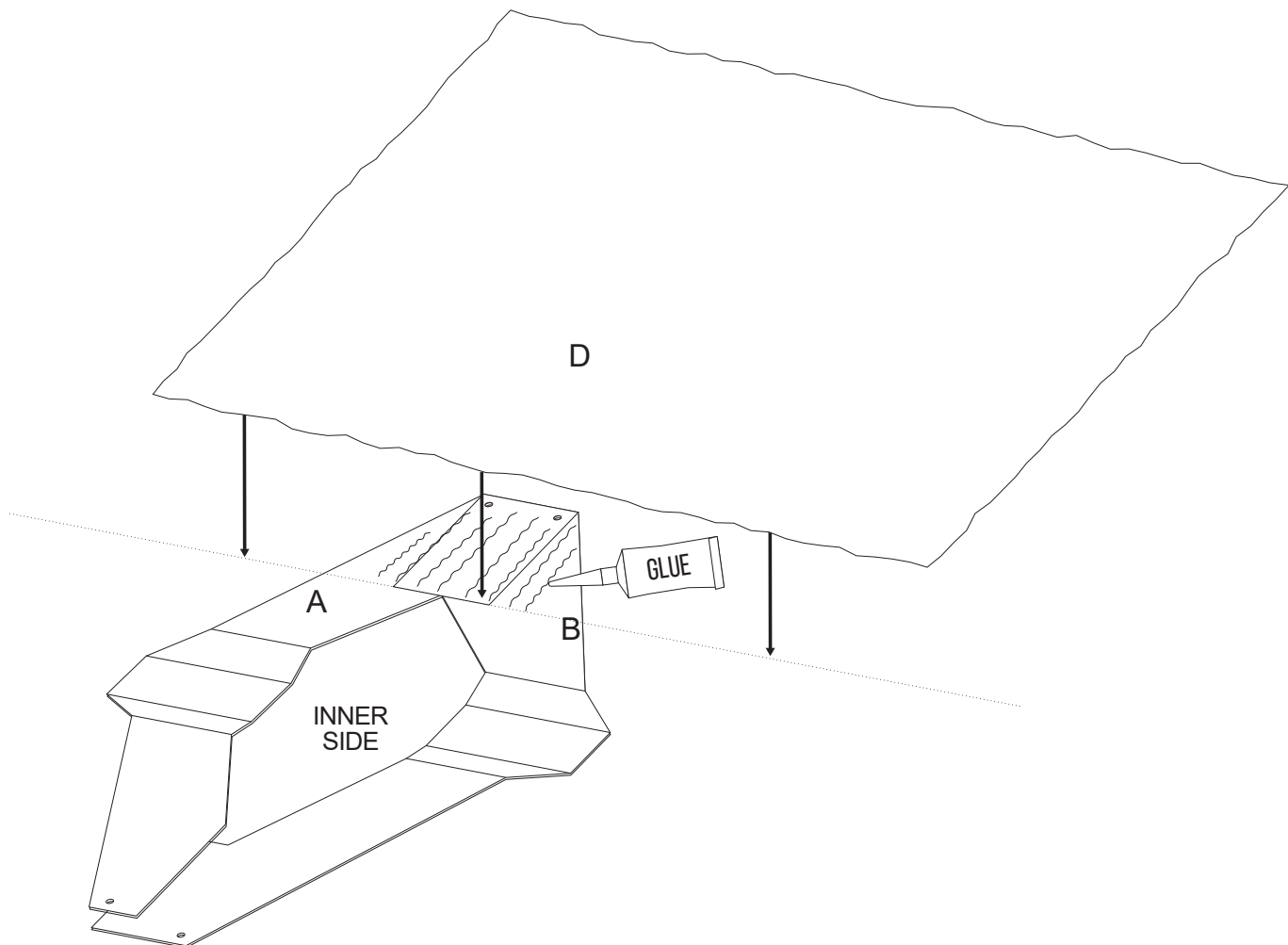


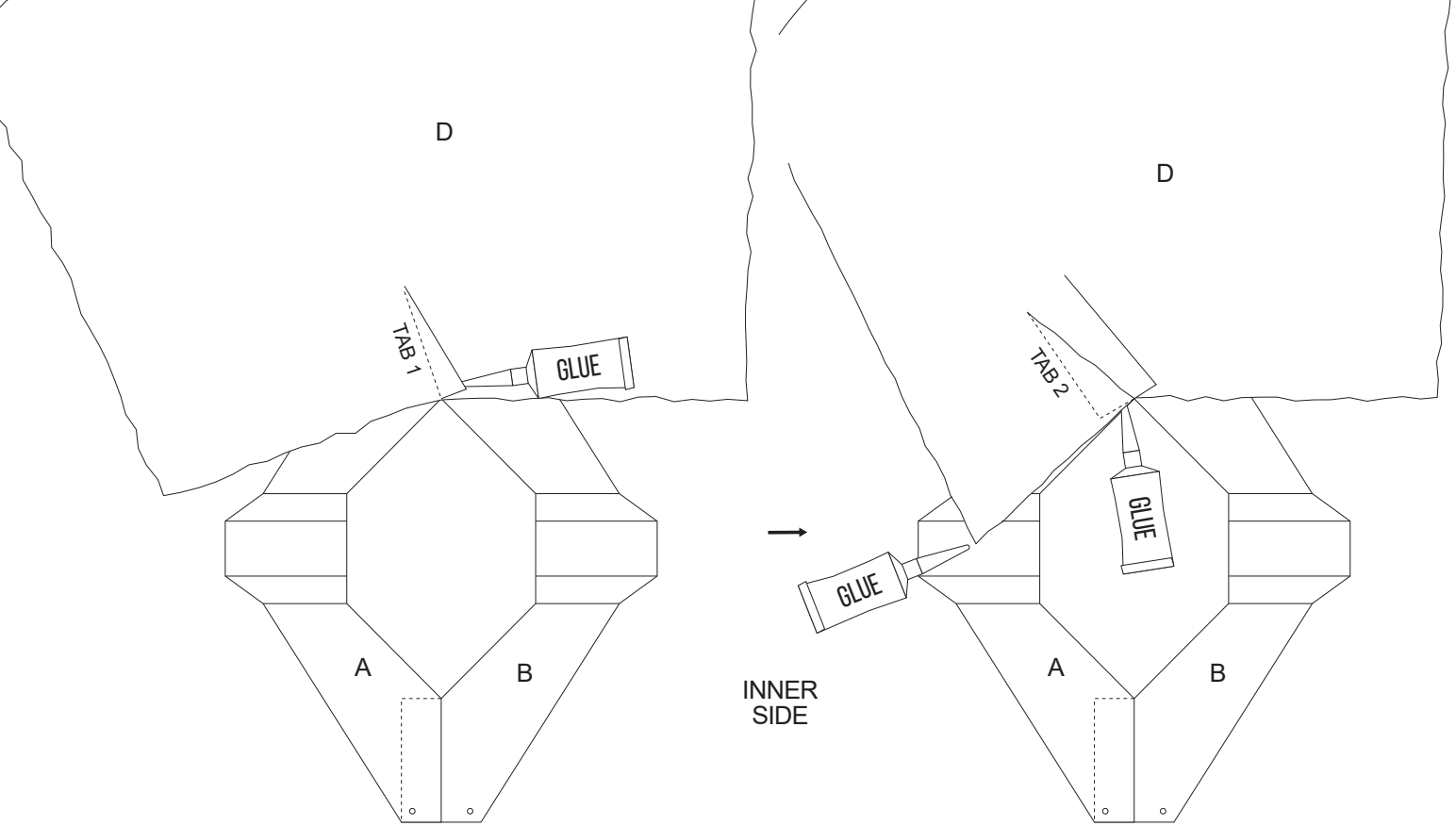
2. Place the pieces A and B on the table top in the direction shown in the picture, glue the piece C on them to connect them together.



3. Unfold the attached sheet of paper (D) and then squeeze it into a large ball - be careful, so as not to tear it. The squeezed paper will be more "plastic".

4. Unfold the paper and place it on the cardboard piece. Glue the paper to the piece AB as shown in the picture (first in the middle, then overlapping it to the shoulder line).

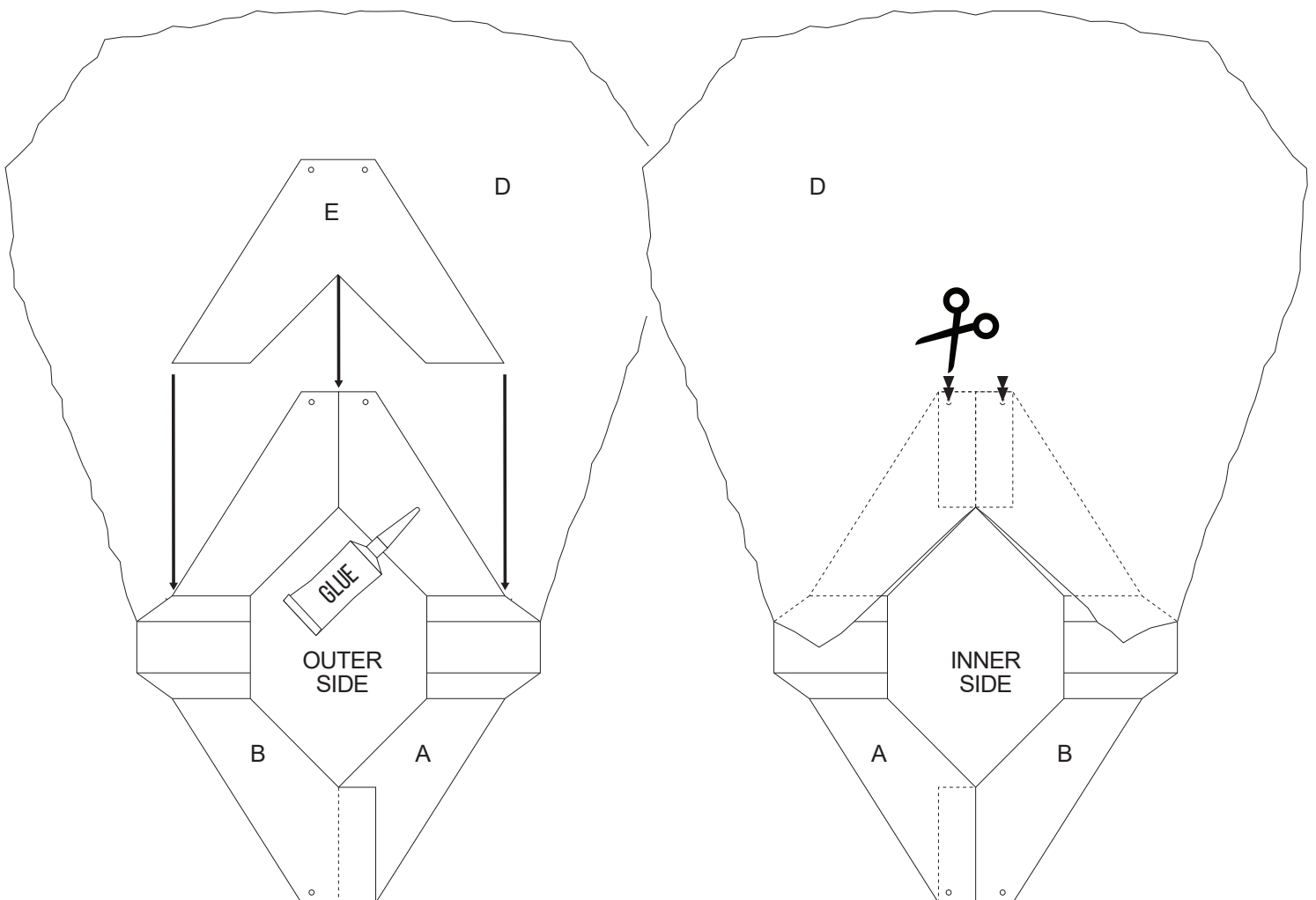




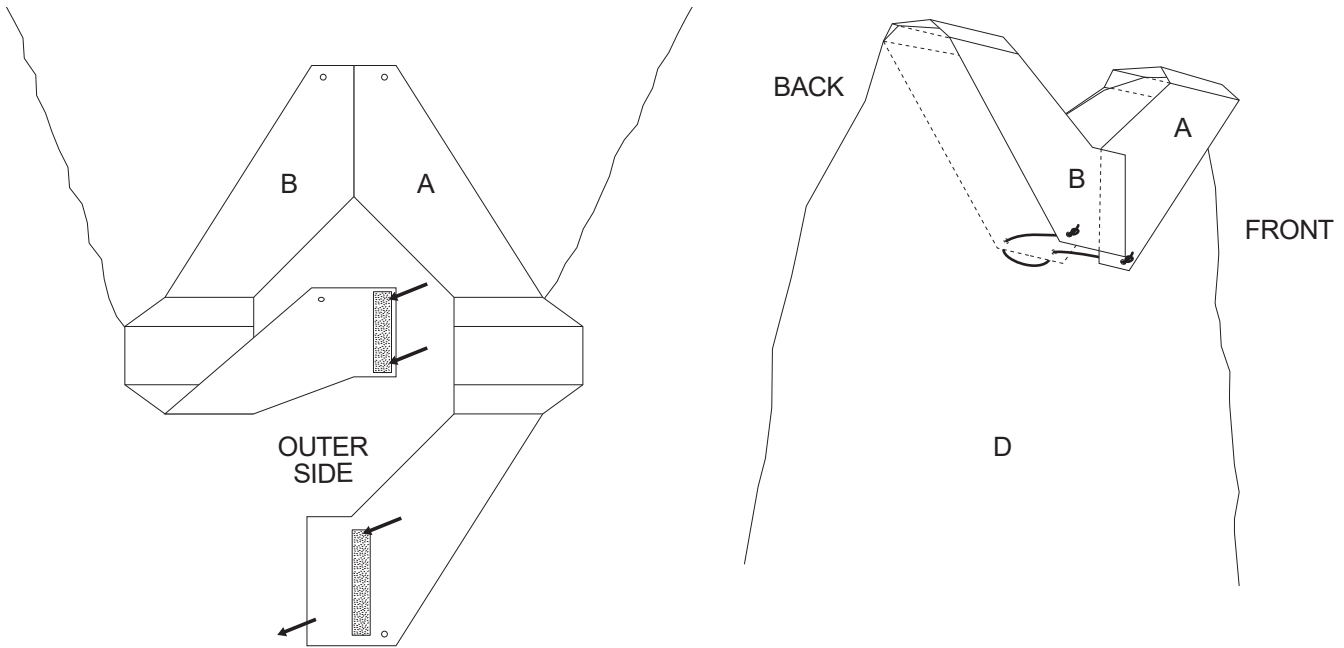
5. Similarly, shape the other side of the cape.

6. Glue the piece E connecting pieces A and B on the outside. With the help of scissors, make a hole in the paper that covers the hole on the inside of the cape.

The hole must be visible through all layers so that it is possible to put a rubber band through it in the following steps.

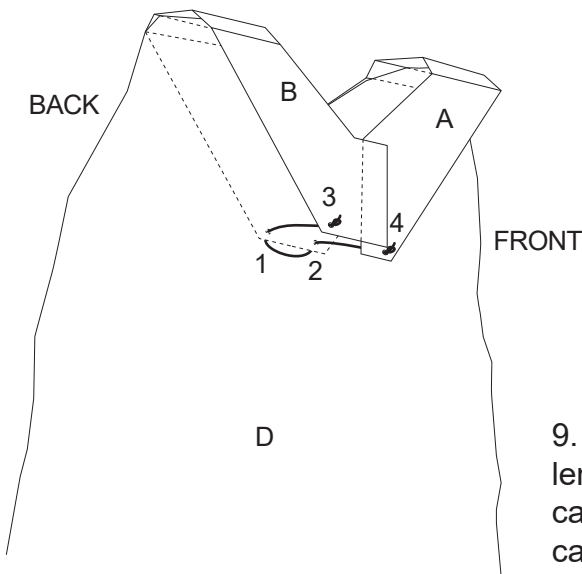


7. Stick the velcro (F) in the place shown in the picture, which will make the cape easy to take off and put on.



8. Pass the rubber band through holes 1 and 2 (back of the cape). Then pass the ends of the rubber band through the holes 3 and 4 (front of the cape). To adjust the length of the rubber band, try on a cape.

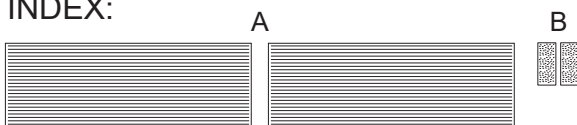
The rubber band must be led under a hand and be stretched enough to hold the cape to the body tight enough and make it comfortable at the same time. When you adjust the rubber band, tie it from the front of the cape (holes 3 and 4).



9. Put on the finished cape and cut the paper to the length comfortable for the child (around the half of the calf). In order to add the cape more expression, cut the cape in the shape of a wave.

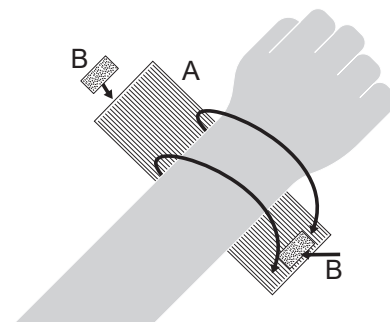
4. WRISTBANDS

INDEX:



1. Adjust the rubber band around the wrist, cut off any excess and stick velcro.

Make sure your wristbands aren't too tight.



REMEMBER THE ENTIRE PROCESS CAN BE WATCHED IN OUR VIDEO

WWW.KOKOCARDBOARDS.COM/EN/INSTRUCTIONS/